

**PS150 (A342)**

## **PARTS CATALOG**

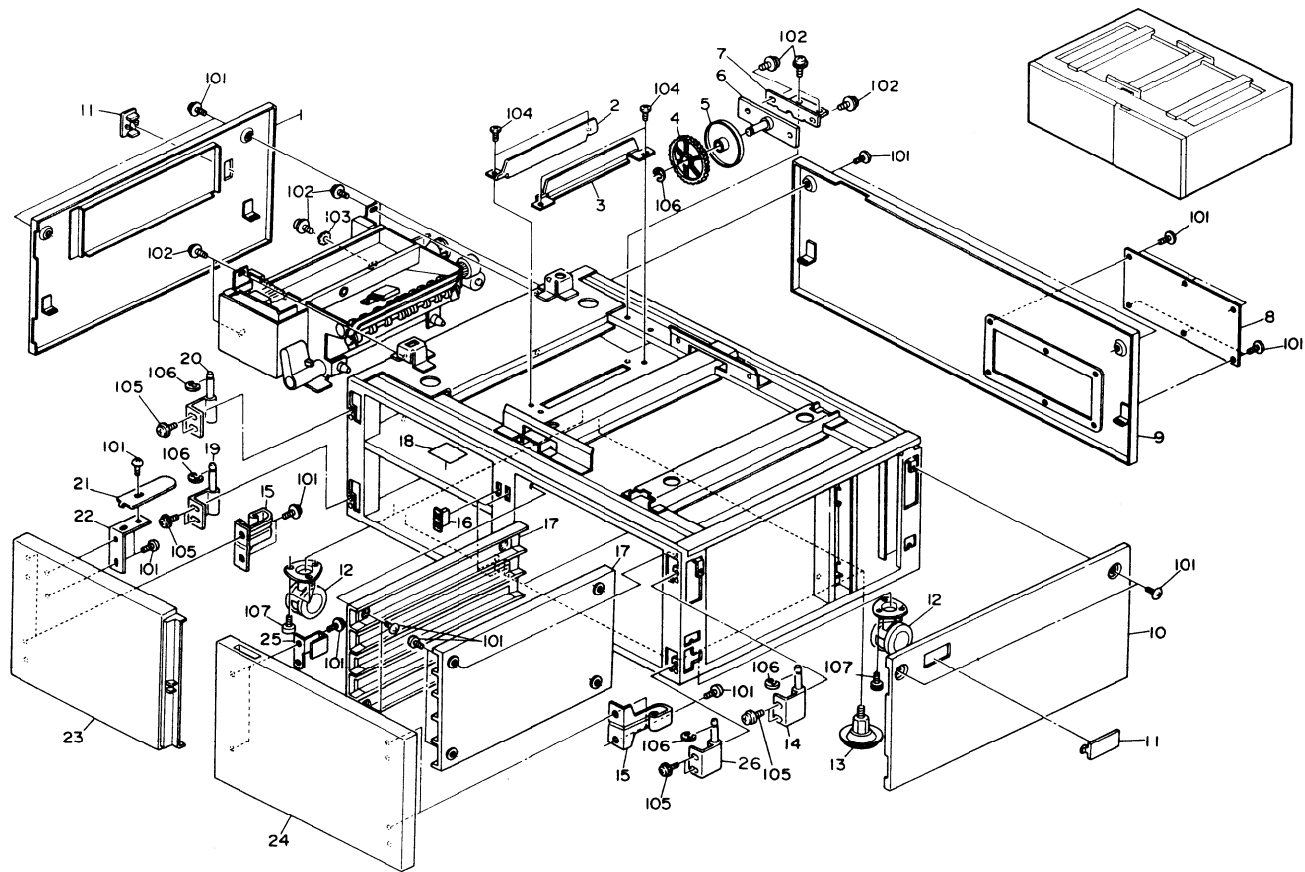
### **INTRODUCTION**

This chapter instructs you the numbers and names of these parts on this machine.

### **INDEX to PARTS CATALOG**

1. EXTERIOR (A342) .....	2
2. PAPER FEED SECTION 1 (A342) .....	4
3. PAPER FEED SECTION 2 (A342) .....	7
4. DECAL AND DOCUMENT (A342) .....	9
<b>Parts Index</b> .....	<b>11</b>

# 1. EXTERIOR (A342)

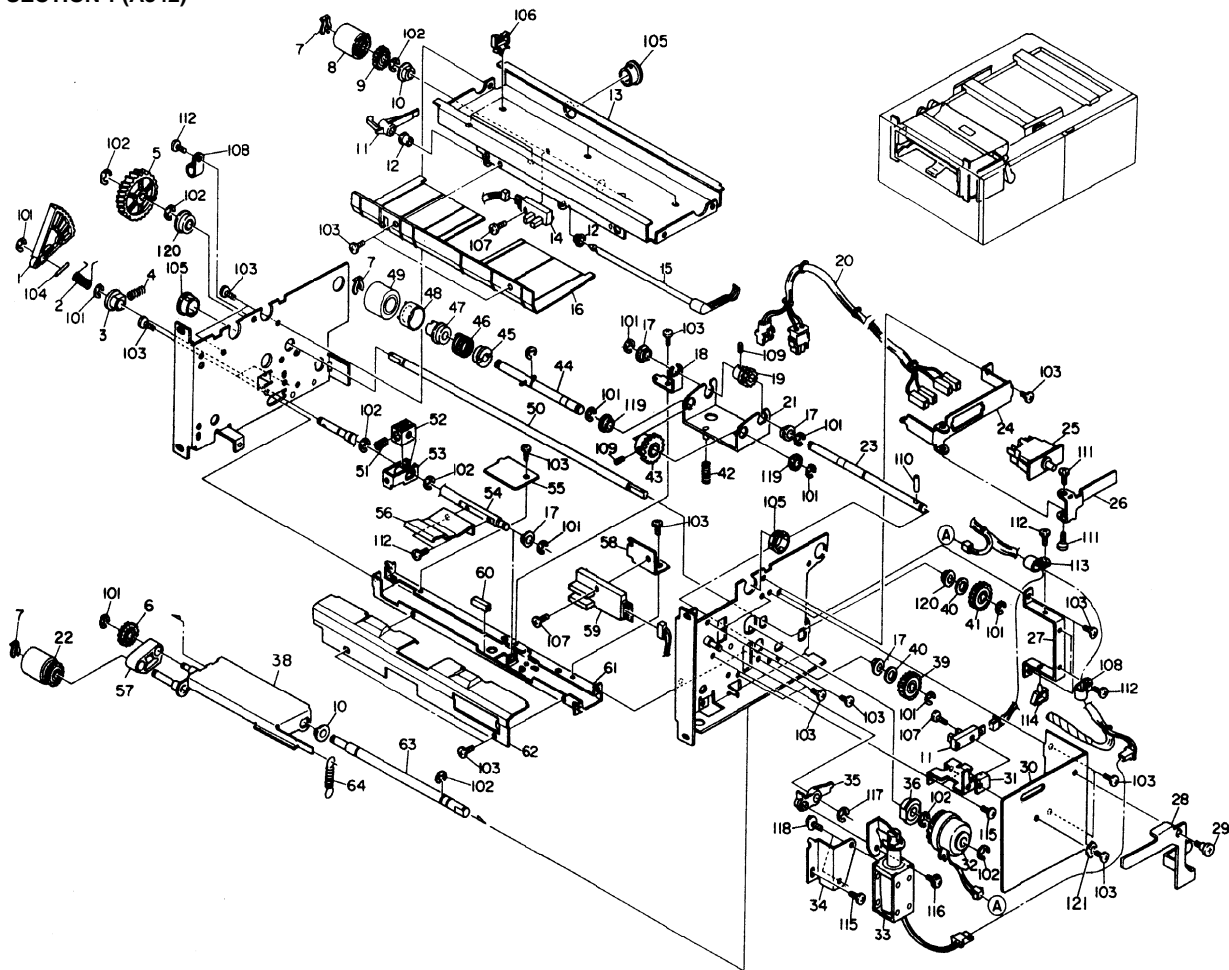


**1. EXTERIOR (A342)**

Index No.	Part No.	Description	Q'ty per Assembly
1	A342 4211	Left Cover	1
2	A342 3122	Relay Guide Plate - Left	1
3	A342 3123	Relay Guide Plate - Right	1
4	A464 2985	Gear - 44Z	1
5	A464 3115	Gear Cover - 44	1
6	A342 3112	Relay Gear Bracket	1
7	A342 3117	Gear Support Plate	1
8	A913 0217	Rear Small Cover	1
9	A342 4271	Rear Cover	1
10	A342 4241	Right Cover	1
11	A464 4261	Right Cover Cap	2
12	5415 1053	Caster	4
13	A464 4174	Stand	4
14	A464 4168	Right Upper Hinge	1
15	A342 4164	Door Hinge	4
16	A464 4014	Magnet Catch	4
17	A464 4181	Rail - Cassette	2
18	A342 4381	Decal - Missfeed Removal - LT	1
18	A342 4382	Decal - Missfeed Removal - A4	1
19	A464 4171	Left Lower Hinge	1
20	A464 4165	Left Upper Hinge	1
21	A464 4363	Safety Switch Actuator	1
22	A464 4362	Bracket - Safety Switch Actuator	1
23	A342 4340	Left Door	1
24	A342 4310	Right Door Ass'y	1
25	A342 4331	Right Door Catch	1
26	A464 4173	Right Lower Hinge	1

Index No.	Part No.	Description	Q'ty per Assembly
101	0802 5094	Tapping Truss Head Screw - M4x8	
102	0960 4008W	Philips Flange Screw - M4x8	
103	0706 0040Z	Toothed Washer - M4	
104	0314 0040W	Philips Pan Head Screw - M4x4	
105	0960 4008W	Philips Flange Screw - M4x8	
106	0720 0060E	Retaining Ring - M6	
107	0596 0120W	Hexagon Bolt - M6x12	

## 2. PAPER FEED SECTION 1 (A342)



## 2. PAPER FEED SECTION 1 (A342)

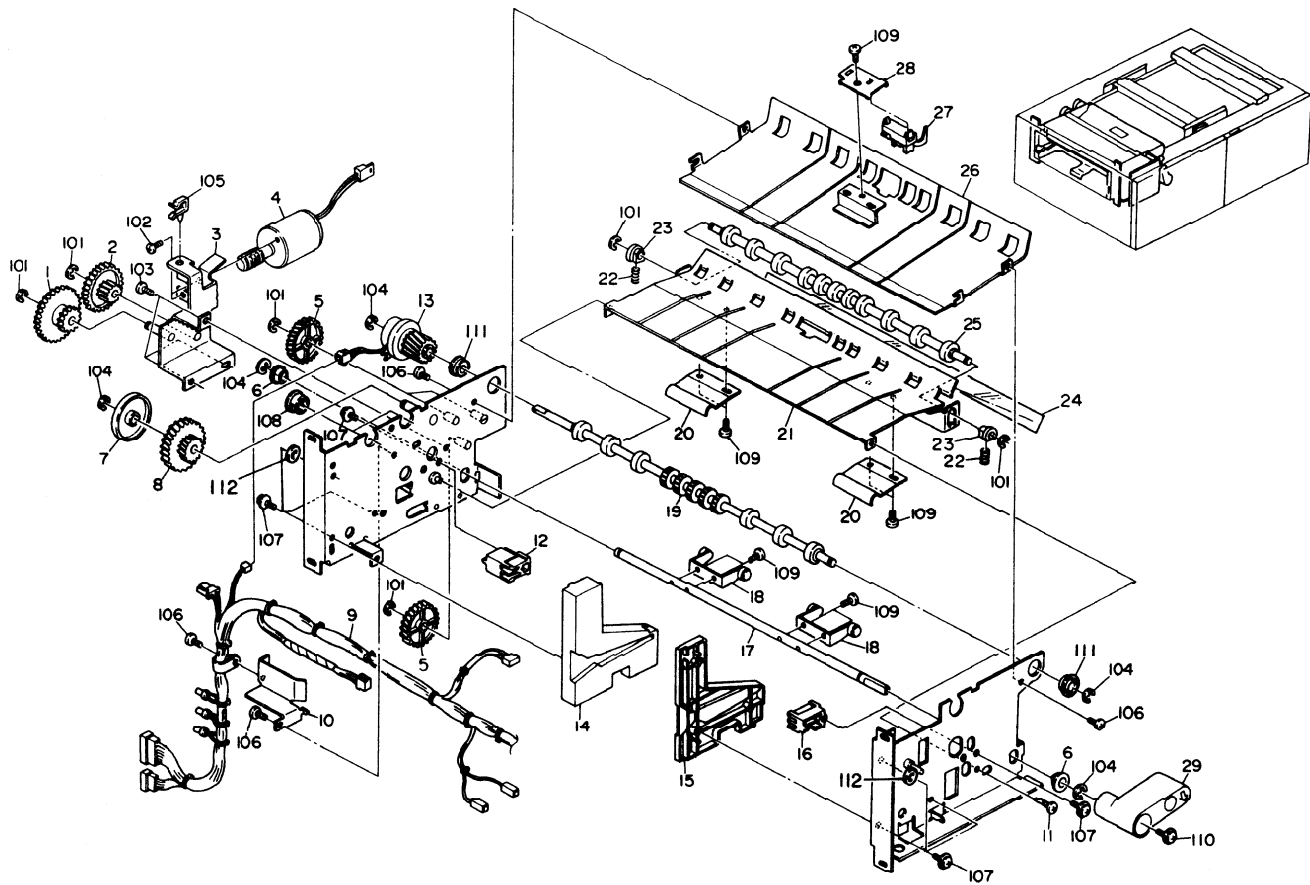
Index No.	Part No.	Description	Q'ty per Assembly
1	A030 2815	Sector Gear	1
2	AA06 6064	Sector Gear Spring	1
3	5442 2751	Bushing - Upper Registration Roller	1
4	5208 2677	Lift Lever Spring	1
5	A464 2981	Gear - 35Z	1
6	AB01 3079	Gear - 21Z	1
7	5447 2681	Snap Ring	3
8	5447 2726	Paper Feed Roller	1
9	5442 3218	Gear - 18Z	1
10	5053 0223	Bushing - 8mm	2
11	A006 2572	Paper End Actuator	1
12	5443 2668	Bushing	2
13	A464 2571	Upper Stay	1
14	5205 5251	LED Sensor Type - T	2
15	A030 2861	Paper End Feeler	1
16	A342 2715	Separator Guide	1
17	5053 0447	Bushing - 6mm	4
18	A030 2736	Separation Fixed Bracket	1
19	AB01 1023	Gear - 15T	1
20	A464 5113	AC Harness - 3rd Paper Feed	1
21	A030 2729	Separation Pressure Arm	1
22	5447 2723	Pick-up Roller	1
23	AA14 0176	Pressure Arm Shaft	1
24	A464 2785	Safety Switch Bracket	1
25	A464 5121	Safety Switch	1
26	A464 2784	Safety Switch Lever	1
27	A464 2781	Front Bracket - Paper Feed Harness	1
28	A464 2873	Safety Switch Cover	1
29	5447 2768	Stepped Screw - M3	1
30	A464 2871	Cover - Front Side Plate	1
31	A464 2771	Pick-up Sensor Bracket	1
32	AX20 0032	Paper Feed Clutch	1
33	A464 1034	Pick-up Solenoid	1
34	A342 2761	Pick-up Solenoid Bracket	1
35	A007 2742	Shutter Plate	1

Index No.	Part No.	Description	Q'ty per Assembly
36	5205 2865	Bushing - Paper Feed Roller	1
38	A030 2751	Pick-up Roller Arm	1
39	AB01 3114	Gear - 20T	1
40	AA13 2024	Spacer - M6	2
41	AB01 3284	Gear - 21T	1
42	AA06 3045	Spring - Paper Feed Separation	1
43	AB01 1024	Gear - 25T	1
44	AA14 0176	Pressure Arm Shaft	1
45	5447 2695	Input Hub	1
46	5447 2697	Cylindrical Spring	1
47	AB04 2004	Clutch Sleeve - Torque Limiter	1
48	5447 2678	Slip Clutch Cover	1
49	5447 2693	Separation Roller	1
50	A464 2956	Relay Shaft - Paper Feed Drive	1
51	AA06 3074	Spring - Paper Lift Lever	1
52	A030 2718	Lift Lever Block	1
53	A030 2717	Pressure Lever	1
54	A030 2955	Paper Lift Lever	1
55	A030 2719	Lift Lever Cover	1
56	A030 2811	Paper Lift Lever	1
57	A006 2551	Pick-up Roller Guide	1
58	A030 2737	Bracket - Paper Size Sensor	1
59	A030 5385	Paper Size Sensor	1
60	5922 2643	Edging	1
61	A072 2611	Paper Feed Stay	1
62	A342 2715	Separator Guide	1
63	AA14 0178	Paper Feed Shaft	1
64	AA06 0158	Spring - Pick-up Roller Arm	1

Index No.	Part No.	Description	Q'ty per Assembly
101	0720 0040E	Retaining Ring - M4	
102	0720 0060E	Retaining Ring - M6	
103	0434 0080W	Tapping Screw - M4x8	
104	0633 0200G	Pin - M3x20	
105	1106 0411	Bushing - 11.5mm	
106	1105 0196	Harness Clamp	
107	0314 0100W	Philips Pan Head Screw - M4x10	
108	1105 0005	Nylon Clip - 3N	
109	0574 0040E	Hexagon Headless Set Screw - M4x4	
110	0622 0160E	Spring Pin - 2x16mm	
111	0314 0080W	Philips Pan Head Screw - M4x8	
112	0314 0060W	Philips Pan Head Screw - M4x6	
113	1105 0016	Nylon Clip - 4N	
114	1105 0087	Clamp	
115	0314 0040W	Philips Pan Head Screw - M4x4	
116	0965 3006W	Tapping Screw With Flat Washer-M3x6	
117	0720 0050E	Retaining Ring - M5	
118	0951 3006W	Philips Screw With Flat Washer - M3	
119	0805 3042	Ball Bearing - 6x10x3mm	
120	0805 3307	Ball Bearing - 8x14x4mm	
121	0703 0040E	Spring Washer 4	

Index No.	Part No.	Description	Q'ty per Assembly

### 3. PEPPER FEED SECTION 2 (A342)





### 3. PEPPER FEED SECTION 2 (A342)

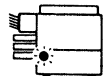
Index No.	Part No.	Description	Q'ty per Assembly
1	5205 2680	Coupled Gear - 16T/53T	1
2	5205 2681	Coupled Gear - 17T/50T	1
3	A464 2831	Bracket - Paper Lift Motor	1
4	5201 5420	Motor - DC24V	1
5	A464 2994	Gear - 30Z	3
6	5053 0223	Bushing - 8mm	2
7	A464 2993	Gear Cover - 40	1
8	A464 2982	Coupled Gear - 20/40Z	1
9	A464 5112	DC Harness - 3rd Paper Feed	1
10	A464 2842	Rear Bracket - Paper Feed Harness	1
11	5415 4145	Stud	1
12	A030 2866	Guide Plate Holder - Rear	1
13	A464 5303	Magnetic Clutch	1
14	A464 2929	Holder - Cassette - Rear	1
15	A464 2924	Holder - Cassette - Front	1
16	A030 2865	Guide Plate Holder - Front	1
17	A464 2631	Release Arm Shaft	1
18	A410 2121	Arm Ass'y - Reverse Sub-uni	2
19	A464 2965	Paper Relay Roller - Upper	1
20	A464 2628	Spring Plate - Lower Guide Plate	2
21	A464 2621	Lower Guide Plate - Paper Feed	1
22	A464 2935	Spring - Paper Relay Roller	2
23	AA08 0037	Bushing - 6 mm	2
24	A464 2623	Lower Guide Mylar - Paper Feed	1
25	A464 2966	Paper Relay Roller - Lower	1
26	A464 2611	Upper Guide Plate - Paper Feed	1
27	AW02 0020	Relay Sensor	1
28	A464 2614	Relay Sensor Bracket	1
29	A464 2632	Release Lever	1


Index No.	Part No.	Description	Q'ty per Assembly
101	0720 0040E	Retaining Ring - M4	
102	0313 0060W	Philips Pan Head Screw - M3x6	
103	0434 0060W	Tapping Screw - M4x6	
104	0720 0060E	Retaining Ring - M6	
105	1105 0087	Clamp	
106	0434 0080W	Tapping Screw - M4x8	
107	0965 4008W	Tapping Screw With Flat Washer-M4x8	
108	1106 0411	Bushing - 11.5mm	
109	0314 0060W	Philips Pan Head Screw - M4x6	
110	0960 4008W	Philips Flange Screw - M4x8	
111	0805 3039	Ball Bearing - 8x16x5mm	
112	0703 0040E	Spring Washer 4	

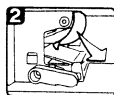
1

### Misfeed Removal

If F is lit.



Push lever  down in the direction of the arrow.



Remove misfed paper and return the lever to its original position.

If this was unsuccessful, close the table covers, open the front cover and remove misfed paper.

**4. DECAL AND DOCUMENT (A342)**

Index No.	Part No.	Description	Q'ty per Assembly
1	A342 4381	Decal - Missfeed Removal - LT	1
1	A342 4382	Decal - Missfeed Removal - A4	1

Index No.	Part No.	Description	Q'ty per Assembly
-----------	----------	-------------	-------------------

# PARTS INDEX

Part No.	Description	Paper and Index No.
A342 2715	Separator Guide	5- 16
A342 2715	Separator Guide	5- 62
A342 2761	Pick-up Solenoid Bracket	5- 34
A342 3112	Relay Gear Bracket	3- 6
A342 3117	Gear Support Plate	3- 7
A342 3122	Relay Guide Plate - Left	3- 2
A342 3123	Relay Guide Plate - Right	3- 3
A342 4164	Door Hinge	3- 15
A342 4211	Left Cover	3- 1
A342 4241	Right Cover	3- 10
A342 4271	Rear Cover	3- 9
A342 4310	Right Door Ass'y	3- 24
A342 4331	Right Door Catch	3- 25
A342 4340	Left Door	3- 23
A342 4381	Decal - Missfeed Removal - LT	3- 18
A342 4381	Decal - Missfeed Removal - LT	9- 1
A342 4382	Decal - Missfeed Removal - A4	3- 18
A342 4382	Decal - Missfeed Removal - A4	9- 1

Part No.	Description	Paper and Index No.
AA06 0158	Spring - Pick-up Roller Arm	5- 64
AA06 3045	Spring - Paper Feed Separation	5- 42
AA06 3074	Spring - Paper Lift Lever	5- 51
AA06 6064	Sector Gear Spring	5- 2
AA08 0037	Bushing - 6 mm	7- 23
AA13 2024	Spacer - M6	5- 40
AA14 0176	Pressure Arm Shaft	5- 23
AA14 0176	Pressure Arm Shaft	5- 44
AA14 0178	Paper Feed Shaft	5- 63
AB01 1023	Gear - 15T	5- 19
AB01 1024	Gear - 25T	5- 43
AB01 3079	Gear - 21Z	5- 6
AB01 3114	Gear - 20T	5- 39
AB01 3284	Gear - 21T	5- 41
AB04 2004	Clutch Sleeve - Torque Limiter	5- 47
AW02 0020	Relay Sensor	7- 27
AX20 0032	Paper Feed Clutch	5- 32
A006 2551	Pick-up Roller Guide	5- 57
A006 2572	Paper End Actuator	5- 11
A007 2742	Shutter Plate	5- 35
A030 2717	Pressure Lever	5- 53
A030 2718	Lift Lever Block	5- 52
A030 2719	Lift Lever Cover	5- 55
A030 2729	Separation Pressure Arm	5- 21
A030 2736	Separation Fixed Bracket	5- 18
A030 2737	Bracket - Paper Size Sensor	5- 58
A030 2751	Pick-up Roller Arm	5- 38
A030 2811	Paper Lift Lever	5- 56
A030 2815	Sector Gear	5- 1
A030 2861	Paper End Feeler	5- 15
A030 2865	Guide Plate Holder - Front	7- 16
A030 2866	Guide Plate Holder - Rear	7- 12
A030 2955	Paper Lift Lever	5- 54
A030 5385	Paper Size Sensor	5- 59
A072 2611	Paper Feed Stay	5- 61

Part No.	Description	Paper and Index No.
A410 2121	Arm Ass'y - Reverse Sub-uni	7- 18
A464 1034	Pick-up Solenoid	5- 33
A464 2571	Upper Stay	5- 13
A464 2611	Upper Guide Plate - Paper Feed	7- 26
A464 2614	Relay Sensor Bracket	7- 28
A464 2621	Lower Guide Plate - Paper Feed	7- 21
A464 2623	Lower Guide Mylar - Paper Feed	7- 24
A464 2628	Spring Plate - Lower Guide Plate	7- 20
A464 2631	Release Arm Shaft	7- 17
A464 2632	Release Lever	7- 29
A464 2771	Pick-up Sensor Bracket	5- 31
A464 2781	Front Bracket - Paper Feed Harness	5- 27
A464 2784	Safety Switch Lever	5- 26
A464 2785	Safety Switch Bracket	5- 24
A464 2831	Bracket - Paper Lift Motor	7- 3
A464 2842	Rear Bracket - Paper Feed Harness	7- 10
A464 2871	Cover - Front Side Plate	5- 30
A464 2873	Safety Switch Cover	5- 28
A464 2924	Holder - Cassette - Front	7- 15
A464 2929	Holder - Cassette - Rear	7- 14
A464 2935	Spring - Paper Relay Roller	7- 22
A464 2956	Relay Shaft - Paper Feed Drive	5- 50
A464 2965	Paper Relay Roller - Upper	7- 19
A464 2966	Paper Relay Roller - Lower	7- 25
A464 2981	Gear - 35Z	5- 5
A464 2982	Coupled Gear - 20/40Z	7- 8
A464 2985	Gear - 44Z	3- 4
A464 2993	Gear Cover - 40	7- 7
A464 2994	Gear - 30Z	7- 5
A464 3115	Gear Cover - 44	3- 5
A464 4014	Magnet Catch	3- 16
A464 4165	Left Upper Hinge	3- 20
A464 4168	Right Upper Hinge	3- 14
A464 4171	Left Lower Hinge	3- 19
A464 4173	Right Lower Hinge	3- 26

Part No.	Description	Paper and Index No.
A464 4174	Stand	3- 13
A464 4181	Rail - Cassette	3- 17
A464 4261	Right Cover Cap	3- 11
A464 4362	Bracket - Safety Switch Actuator	3- 22
A464 4363	Safety Switch Actuator	3- 21
A464 5112	DC Harness - 3rd Paper Feed	7- 9
A464 5113	AC Harness - 3rd Paper Feed	5- 20
A464 5121	Safety Switch	5- 25
A464 5303	Magnetic Clutch	7- 13
A913 0217	Rear Small Cover	3- 8
5053 0223	Bushing - 8mm	5- 10
5053 0223	Bushing - 8mm	7- 6
5053 0447	Bushing - 6mm	5- 17
5201 5420	Motor - DC24V	7- 4
5205 2680	Coupled Gear - 16T/53T	7- 1
5205 2681	Coupled Gear - 17T/50T	7- 2
5205 2865	Bushing - Paper Feed Roller	5- 36
5205 5251	LED Sensor Type - T	5- 14
5208 2677	Lift Lever Spring	5- 4
5415 1053	Caster	3- 12
5415 4145	Stud	7- 11
5442 2751	Bushing - Upper Registration Roller	5- 3
5442 3218	Gear - 18Z	5- 9
5443 2668	Bushing	5- 12
5447 2678	Slip Clutch Cover	5- 48
5447 2681	Snap Ring	5- 7
5447 2693	Separation Roller	5- 49
5447 2695	Input Hub	5- 45
5447 2697	Cylindrical Spring	5- 46
5447 2723	Pick-up Roller	5- 22
5447 2726	Paper Feed Roller	5- 8
5447 2768	Stepped Screw - M3	5- 29
5922 2643	Edging	5- 60

Part No.	Description	Paper and Index No.
0313 0060W	Philips Pan Head Screw - M3x6	7-102
0314 0040W	Philips Pan Head Screw - M4x4	3-104
0314 0040W	Philips Pan Head Screw - M4x4	5-115
0314 0060W	Philips Pan Head Screw - M4x6	5-112
0314 0060W	Philips Pan Head Screw - M4x6	7-109
0314 0080W	Philips Pan Head Screw - M4x8	5-111
0314 0100W	Philips Pan Head Screw - M4x10	5-107
0434 0060W	Tapping Screw - M4x6	7-103
0434 0080W	Tapping Screw - M4x8	5-103
0434 0080W	Tapping Screw - M4x8	7-106
0574 0040E	Hexagon Headless Set Screw - M4x4	5-109
0596 0120W	Hexagon Bolt - M6x12	3-107
0622 0160E	Spring Pin - 2x16mm	5-110
0633 0200G	Pin - M3x20	5-104
0703 0040E	Spring Washer 4	5-121
0703 0040E	Spring Washer 4	7-112
0706 0040Z	Toothed Washer - M4	3-103
0720 0040E	Retaining Ring - M4	5-101
0720 0040E	Retaining Ring - M4	7-101
0720 0050E	Retaining Ring - M5	5-117
0720 0060E	Retaining Ring - M6	3-106
0720 0060E	Retaining Ring - M6	5-102
0720 0060E	Retaining Ring - M6	7-104
0802 5094	Tapping Truss Head Screw - M4x8	3-101
0805 3039	Ball Bearing - 8x16x5mm	7-111
0805 3042	Ball Bearing - 6x10x3mm	5-119
0805 3307	Ball Bearing - 8x14x4mm	5-120
0951 3006W	Philips Screw With Flat Washer - M3	5-118
0960 4008W	Philips Flange Screw - M4x8	3-102
0960 4008W	Philips Flange Screw - M4x8	3-105
0960 4008W	Philips Flange Screw - M4x8	7-110
0965 3006W	Tapping Screw With Flat Washer-M3x6	5-116
0965 4008W	Tapping Screw With Flat Washer-M4x8	7-107
1105 0005	Nylon Clip - 3N	5-108
1105 0016	Nylon Clip - 4N	5-113

Part No.	Description	Paper and Index No.
1105 0087	Clamp	5-114
1105 0087	Clamp	7-105
1105 0196	Harness Clamp	5-106
1106 0411	Bushing - 11.5mm	5-105
1106 0411	Bushing - 11.5mm	7-108